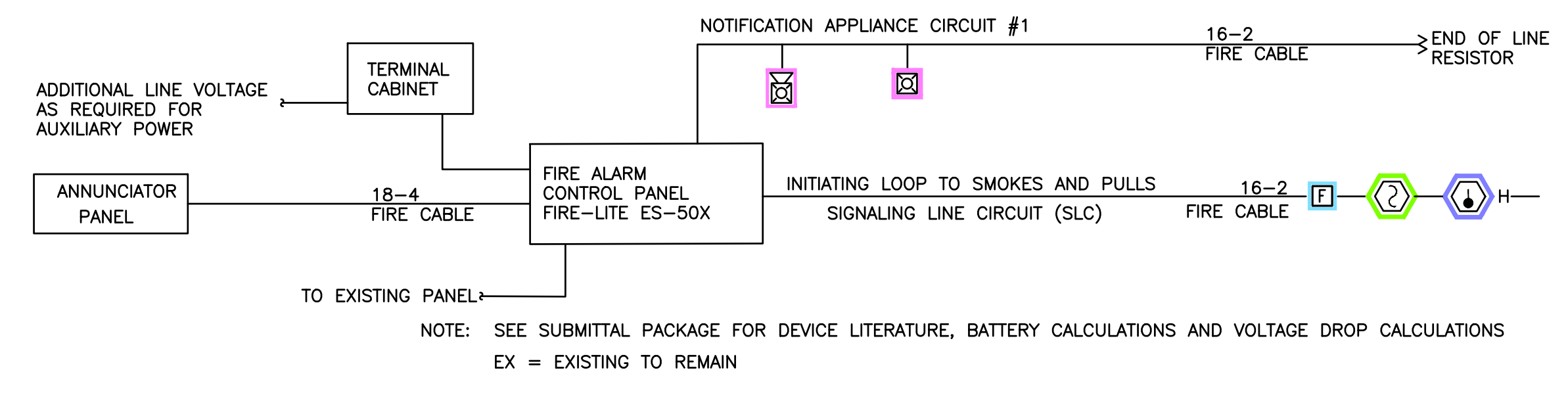




Drawing File: H:\2022\Potlerters Vessel Vessel\FA-19Sep22.dwg  
 Plotted Date: Oct 03, 2022 - 9:26am  
 1'-4" SCALE: 1-1/2" = 1'-0"  
 2'-0" SCALE: 1" = 1'-0"  
 2'-8" SCALE: 3/4" = 1'-0"  
 4'-0" SCALE: 1/2" = 1'-0"  
 4'-8" SCALE: 3/4" = 1'-0"  
 8'-0" SCALE: 1/2" = 1'-0"  
 8'-4" SCALE: 1/4" = 1'-0"  
 10'-8" SCALE: 3/16" = 1'-0"  
 16'-0" SCALE: 1/8" = 1'-0"  
 4'-0" SCALE: 1/8" = 1'-0"  
 16'-0" SCALE: 1/8" = 1'-0"



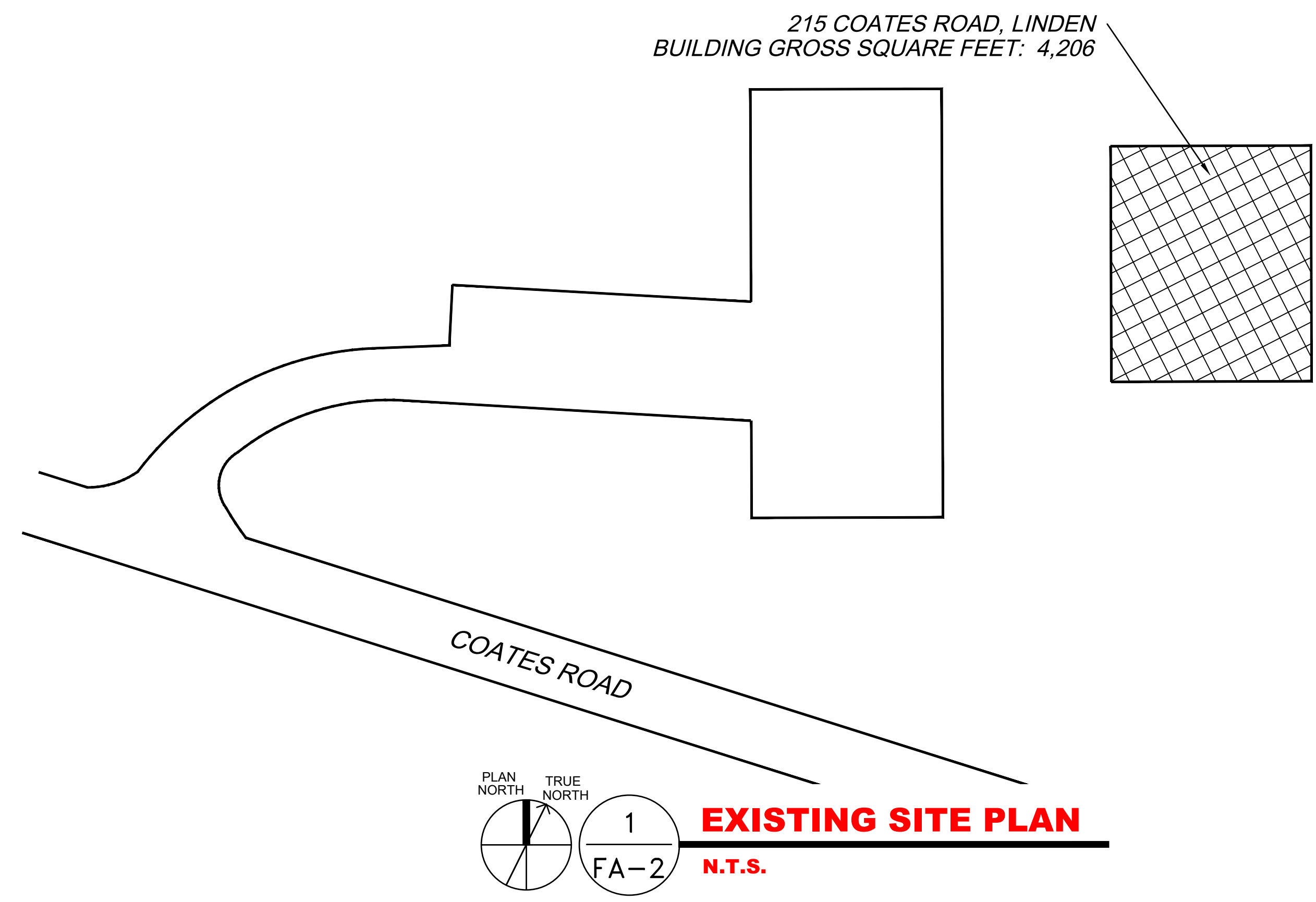
NOTE: SEE SUBMITTAL PACKAGE FOR DEVICE LITERATURE, BATTERY CALCULATIONS AND VOLTAGE DROP CALCULATIONS  
 EX = EXISTING TO REMAIN

**GENERAL NOTES:**

- CONTRACTOR SHALL PROVIDE AND INSTALL NEW FIRE ALARM SYSTEM IN BUILDING AS REQUIRED BY NFPA 101, LIFE SAFETY CODE AND NFPA 72, THE FIRE ALARM CODE.
- PROVIDE BACK BOXES FOR ALL WALL MOUNTED DEVICES.
- ALL WIRING IS COPPER, WITH RED JACKET.
- DEVICES SHALL BE RED IN COLOR.
- VERIFY LOCATION OF ANNUNCIATOR PANEL WITH FIRE MARSHAL.

FIRE ALARM SYSTEM MATRIX	BUILDING SYSTEM OUTPUTS								CENTRAL STATION	
	ACTIVATE COMMON ALARM SIGNAL INDICATOR	ACTIVATE AUDIBLE ALARM SIGNAL	ACTIVATE COMMON SUPERVISORY SIGNAL INDICATOR	ACTIVATE AUDIBLE SUPERVISORY SIGNAL	ACTIVATE COMMON TROUBLE SIGNAL INDICATOR	ACTIVATE AUDIBLE TROUBLE SIGNAL	ACTIVATE GENERAL EVALUATION	DISPLAY CHANGE OF STATUS ON PCPP	TRANSMIT FIRE ALARM SIGNAL TO CENTRAL STATION	TRANSMIT SUPERVISORY SIGNAL TO CENTRAL STATION
BUILDING SYSTEM INPUTS										
MANUAL PULL STATION	X	X					X	X		X
BUILDING SMOKE DETECTOR	X	X					X	X		X
AC POWER FAILURE			X	X	X				X	X
SYSTEM LOW BATTERY			X	X	X				X	X
OPEN CIRCUIT			X	X	X				X	X
GROUND FAULT			X	X	X				X	X
NOTIFICATION APPLIANCE CIRCUIT SHORT			X	X	X				X	X

- PROGRAM AS SUPERVISORY UNLESS OTHERWISE REQUIRED BY LOCAL AHJ TO BE A GENERAL ALARM.



**BUILDING SUMMARY AND SCOPE OF WORK:**

THE BUILDING CONSTRUCTION TYPE IS TYPE II-B ACCORDING TO 2018 NORTH CAROLINA BUILDING CODE.

THE TENANT SPACE GROSS SQUARE FEET IS: 4,206

TENANT SPACE IS NOT PROTECTED BY FIRE SPRINKLERS

TENANT SPACE USE WILL BE ASSEMBLY (A-3) (RESTORATION OF PRAISE)

THIS DRAWING IS PROVIDED TO SHOW THE LOCATION OF THE FIRE ALARM EQUIPMENT AND DEVICES AND WAS PREPARED BY OTHERS AND USED WITH PERMISSION.

THE EXISTING TENANT SPACE IS NOT PROTECTED BY A FIRE ALARM.

THE SCOPE OF WORK INCLUDES INSTALLATION OF NEW EQUIPMENT AND DEVICES IN THE BUILDING AS DEEMED BY THE LOCAL MUNICIPALITY. THIS DRAWING IS DIAGRAMMATIC AND SHOWS WHERE THE DEVICES WILL BE LOCATED. A STATE LICENSED FIRE ALARM CONTRACTOR WILL PROVIDE SHOP DRAWINGS ALONG WITH ALL CALCULATIONS TO THE LOCAL MUNICIPALITY HAVING JURISDICTION. THE FIRE ALARM WILL BE MONITORED BY A CENTRAL STATION.

THE DEVICES LISTED BELOW SHOW THE EXTENT OF WORK REQUIRED FOR THE BUILDING.

NEW FIRE ALARM CONTROL PANEL WILL BE INSTALLED AND WILL BE EQUAL TO FIRE-LITE ES-50X.

NEW FIRE PULL HANDLE WILL BE INSTALLED AT ALL EXITS AND WILL BE SIMILAR OR EQUAL TO FIRE-LITE BG-12LX.

NEW HORN STROBE DEVICES WILL BE INSTALLED IN REQUIRED AREAS AND WILL BE SIMILAR OR EQUAL TO (HORN STROBE SYSTEM SENSOR P2RL)

NEW STROBE DEVICES WILL BE INSTALLED IN REQUIRED AREAS AND WILL BE SIMILAR OR EQUAL TO (STROBE SYSTEM SENSOR 2RL)

NEW SMOKE DETECTORS WILL BE INSTALLED AND WILL BE EQUAL TO SD 365.

NEW HEAT DETECTOR WILL BE INSTALLED AND WILL BE EQUAL TO HD 365 (A).

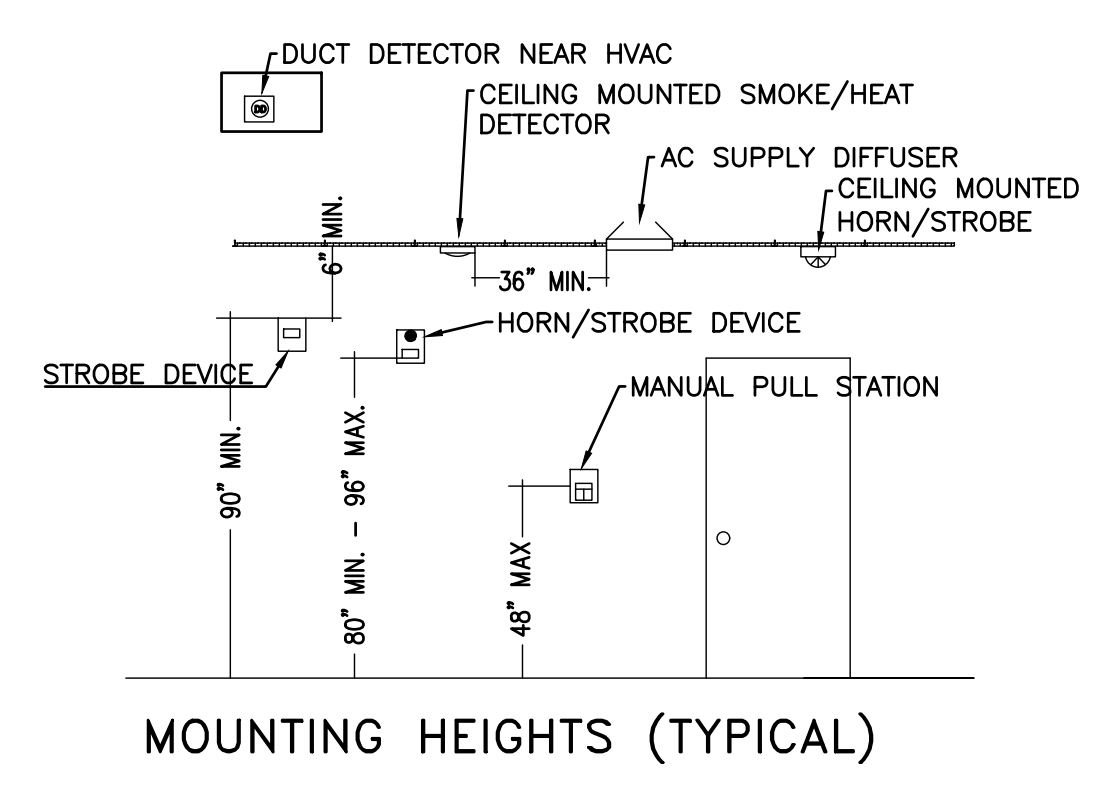
FIRE ALARM CONTRACTOR WILL TEST AND INSPECT NEW SYSTEM WITH LOCAL AUTHORITIES.

FIRE ALARM CONTRACTOR WILL ALSO PROVIDE TRAINING TO STAFF ON USE OF NEW FIRE ALARM SYSTEM.

SYMBOL	DESCRIPTION
	FIRE ALARM CONTROL PANEL (FIRE-LITE ES-50X) W/ ANNUNCIATOR
	FIRE ALARM PULL STATION (HONEYWELL BG-12LX)
	STROBE UNIT (SYSTEM SENSOR SCRL)
	HORN/STROBE UNIT (SYSTEM SENSOR PC2R)
	SMOKE DETECTOR (SD 365)
	HEAT DETECTOR (SYSTEM SENSOR HD365 (A))
	DUPLEX-120V, 20AMP, DEDICATED PANEL A CIRCUIT 27 (OR DIRECT WIRED TO BREAKER)
	END OF LINE RESISTOR (EOL)

**NOTES**

ALL FIRE ALARM EQUIPMENT TO MEET NFPA 72  
 INSTALL NEW FACP & REQUIRED COMPONENTS TO COMPLETE THE INSTALLATION  
 THE FIRE ALARM SYSTEM SHOWN HERE DEPICTS A CLASS "B" SYSTEM  
 NEW FIRE ALARM CONTROL PANEL WILL BE INSTALLED (FIRE-LITE ES-50X)  
 PROVIDE ADDITIONAL ZONE MODULES AS REQ'D FOR THE ADDITIONAL DEVICES



**JENKINS**  
 CONSULTING ENGINEERS, PA  
 OFFICE IN EUREKA SPRINGS, NORTH CAROLINA  
 1608 MCARTHUR RD., FAYETTEVILLE, NC 28111-1002  
 CORPORATION NUMBER C-5070    BIDDY@jenkinspe.com  
 OFFICE PHONE: 919.822.1744

3 October 2022

DESIGNED BY: B. JENKINS  
 DRAWN BY: MAW  
 CHECKED BY: B. JENKINS  
 DATE: 3 OCT 22

**All American Alarms**  
 BE SAFE AGAIN

FINAL DRAWING FOR REVIEW PURPOSES ONLY  
 PRELIMINARY FOR DESIGN DEVELOPMENT ONLY  
 FINAL DRAWING FOR CONSTRUCTION

**RESTORATION OF PRAISE**  
 LINDEN, NC, 28356

PROJECT: RESTORATION OF PRAISE  
 215 COATES ROAD  
 SHEET: FIRE ALARM RISER/NOTES & MATRIX

**FA-2**